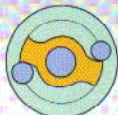
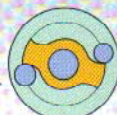


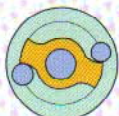
**ST-55413**  
1/2" Air Impact Wrench  
(Pin Clutch)  
Torque: 425 ft-lb



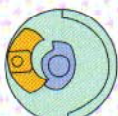
**ST-55414**  
1/2" Pro. Impact Wrench  
(Pin Clutch)  
Torque: 400 ft-lb



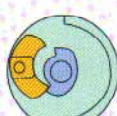
**ST-55415**  
1/2" Pro. Impact Wrench  
(Pin Clutch)  
Torque: 480 ft-lb



**ST-5542**  
1/2" Air Impact Wrench  
(Pin Clutch)  
Torque: 220 ft-lb



**ST-5540**  
1/2" Air Impact Wrench  
(Rocking Dog)  
Torque: 230 ft-lb



**ST-M3006**  
1/2" Air Impact Wrench  
(Rocking Dog)  
Torque: 250 ft-lb



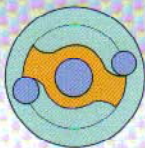
**ST-5540K**  
17 Pcs 1/2" Air Impact  
Wrench Kit  
Contents:  
1- ST-5540 1/2" Air Impact  
Wrench  
10- 1/2" DR Sockets: 9,10,11,  
13,14,17,19,22,24,27mm  
1- Mini Oiler  
1- Oil Pot  
1- Nipple  
1- 4mm Hex Wrench  
1- 1/2" DR 125mm  
Extension Bar  
1- Blow Mold Case



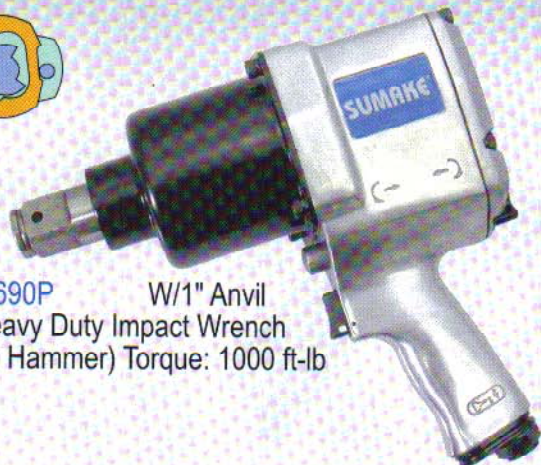
**ST-5541K**  
17 Pcs 1/2" Air Impact Wrench Kit  
Contents:  
1- ST-5541 1/2" Air Impact Wrench  
10- 1/2" DR Sockets: 9,10,11,13,14,  
17,19,22,24,27mm  
1- Mini Oiler  
1- Oil Pot  
1- Nipple  
1- 4mm Hex Wrench  
1- 1/2" DR 125mm Extension Bar  
1- Blow Mold Case



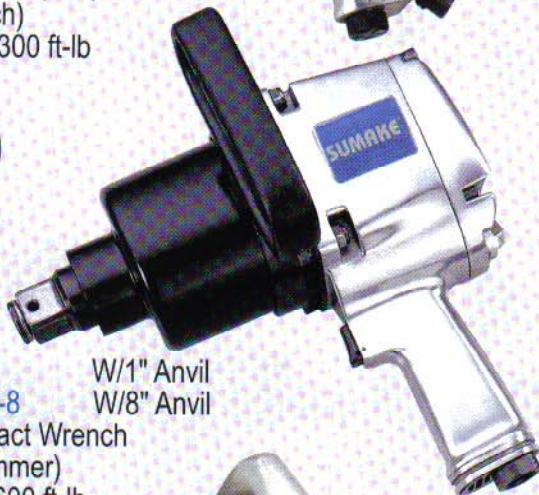
# 1" Professional Air Impact Wrench



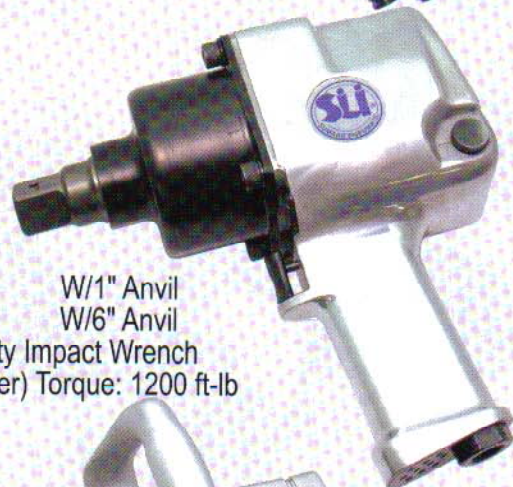
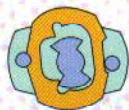
ST-5584P W/2" Anvil  
ST-5584P-6 W/6" Anvil  
1" Heavy Duty Impact Wrench  
(Pin Clutch)  
Torque: 1300 ft-lb



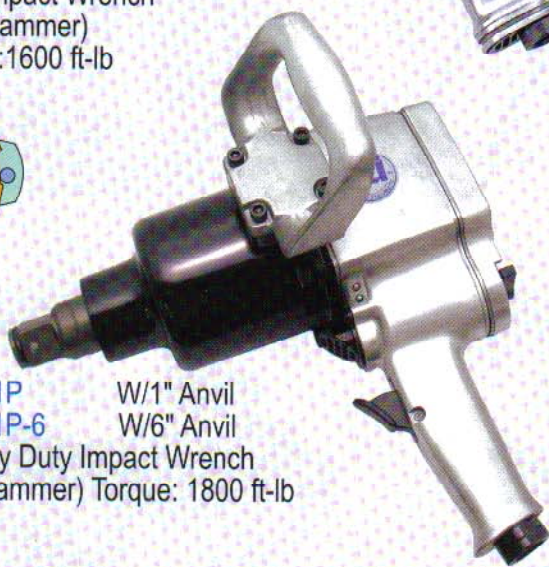
ST-6690P W/1" Anvil  
1" Heavy Duty Impact Wrench  
(Twin Hammer) Torque: 1000 ft-lb



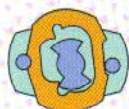
ST-55882 W/1" Anvil  
ST-55882-8 W/8" Anvil  
1" Air Impact Wrench  
(Twin Hammer)  
Torque :1600 ft-lb



ST-6691P W/1" Anvil  
ST-6691PL W/6" Anvil  
1" Heavy Duty Impact Wrench  
(Twin Hammer) Torque: 1200 ft-lb



ST-5591P W/1" Anvil  
ST-5591P-6 W/6" Anvil  
1" Heavy Duty Impact Wrench  
(Twin Hammer) Torque: 1800 ft-lb



ST-6706P W/1" Anvil  
ST-6706P-6 W/6" Anvil  
1" Heavy Duty Impact Wrench  
(Twin Hammer) Torque: 1500 ft-lb  
ST-6707P W/1" Anvil  
ST-6707P-6 W/6" Anvil  
1" Heavy Duty Impact Wrench  
(Twin Hammer) Torque: 1800 ft-lb

# Spring Balancer



SB-1.2 (0.5-1.2kgs)  
SB-2.0 (1.0-2.0kgs)  
SB-3.0 (2.0-3.0kgs)  
Spring Balancer



SA-2201 (0.3-0.8kgs)  
SA-2203 (0.6-1.5kgs)  
SA-2203-1 (1.0-2.0kgs)  
SA-2204 (1.5-3.0kgs)  
SA-2207 (3.0-5.0kgs)  
Spring Balancer



SA-2204A (0.8-2.0kgs)  
SA-2204B (0.3-1.6kgs)  
Spring Balancer



SA-22015 (0.5-1.5kgs)  
Spring Balancer



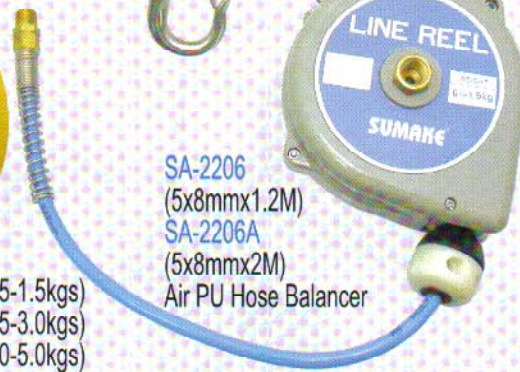
SA-22030 (1.5-3.0kgs)  
SA-22050 (3.0-5.0kgs)  
SA-22070 (5.0-7.0kgs)  
SA-22090A (7.0-9.0kgs)  
Spring Balancer



SA-22090 (5-9 kgs)  
SA-2215 (9-15kgs)  
Spring Balancer



SA-22015T (0.5-1.5kgs)  
SA-22030T (1.5-3.0kgs)  
SA-22050T (3.0-5.0kgs)  
Air PU Hose Balancer  
(PU Hose Dia:6.5x10mm)



SA-2206 (5x8mmx1.2M)  
SA-2206A (5x8mmx2M)  
Air PU Hose Balancer



HR-0130 (6.5x9.5mmx6M)  
HR-0180 (5x8mmx7.5M)  
Air PU Hose Balancer

## Specification:

Model No.	Capacity (kg)	Cable Travel (M)	Packing Pcs/Ctn/G.W./Cuft (kgs)	Model No.	Capacity (kg)	Cable Travel (M)	Packing Pcs/Ctn/G.W./Cuft (kgs)	Model No.	Capacity (kg)	Cable Travel (M)	Packing Pcs/Ctn/G.W./Cuft (kgs)
SB-1.2	0.5-1.2	1.6	20Pcs/Ctn/12.8/0.95'	SA-2204A	0.8-2.0	1.6	30Pcs/Ctn/24.1/1.9'	SA-22050	3.0-5.0	1.3	10Pcs/Ctn/19.4/1.7'
SB-2.0	1.0-2.0	1.6	20Pcs/Ctn/12.8/0.95'	SA-2204B	0.3-1.6	1.6	30Pcs/Ctn/17.95/1.6'	SA-22090	5.0-9.0	1.3	4Pcs/Ctn/16/1.9'
SB-3.0	2.0-3.0	1.6	20Pcs/Ctn/13/0.95'	SA-2207	3.5-5.0	1.5	30Pcs/Ctn/17.95/1.6'	SA-2215	9.0-15.0	1.3	4Pcs/Ctn/16/1.9'
SA-2201	0.3-0.8	1.6	40Pcs/Ctn/19.8/1.7'	SA-22070	5.0-7.0	1.3	10Pcs/Ctn/20.3/1.7'	SA-22015T	0.5-1.5	1.4	6Pcs/Ctn/11.8/1.9'
SA-2203	0.6-1.5	1.6	40Pcs/Ctn/21/1.7'	SA-22090A	7.0-9.0	1.3	10Pcs/Ctn/20.5/1.7'	SA-22030T	1.5-3.0	1.4	6Pcs/Ctn/13/1.9'
SA-2203-1	1.0-2.0	1.6	40Pcs/Ctn/21/1.7'	SA-22015	0.5-1.5	1.3	24Pcs/Ctn/18.5/1.9'	SA-22050T	3.0-5.0	1.4	6Pcs/Ctn/13/1.9'
SA-2204	1.5-3.0	1.6	40Pcs/Ctn/21.8/1.7'	SA-22030	1.5-3.0	1.3	10Pcs/Ctn/18.5/1.7'				

Model No.	Hose Size (mm)		Max. Working Pressure		Burst Pressure		Hose Length		Hose Type	Working Temperature (°C)	Hose Color	Case Color	Packing Pcs/Ctn/G.W./Cuft' (kgs)
	I.D.	O.D.	psi	bar	psi	bar	ft	m					
SA-2206	5	8	100	7	400	28	4	1.2	PU	-5 ~ +60	Blue	Grey	10Pcs/Ctn/11/1.4'
SA-2206A	5	8	100	7	400	28	6.6	2	PU	-5 ~ +60	Blue	Grey	10Pcs/Ctn/11/1.4'
HR-0130	6.5	9.5	100	7	400	28	20	6	PU	-5 ~ +60	Orange, Blue	Yellow	10Pcs/Ctn/20/2'
HR-0180	5	8	100	7	400	28	25	7.5	PU	-5 ~ +60	Orange, Blue	Yellow	10Pcs/Ctn/18.5/2'

# Air Control Unit



SA-2322 1/4"  
SA-2323 3/8"  
SA-2324 1/2"  
Air Filter, Regulator  
& Lubricator



SA-2312 1/4"  
SA-2313 3/8"  
SA-2314 1/2"  
Air Filter, Regulator  
& Lubricator



SA-2322F&R 1/4"  
SA-2323F&R 3/8"  
SA-2324F&R 1/2"  
Air Filter & Regulator



SA-2312L 1/4"  
SA-2313L 3/8"  
SA-2314L 1/2"  
Air Lubricator



SA-2312F 1/4"  
SA-2313F 3/8"  
SA-2314F 1/2"  
Air Filter



SA-2312R 1/4"  
SA-2313R 3/8"  
SA-2314R 1/2"  
Air Regulator



SA-2230A 1/4"  
SA-2230 3/8"  
SA-2240A 1/2"  
SA-2260A 3/4"  
Air Filter, Regulator  
& Lubricator



SA-2220A 1/4"  
SA-2220 3/8"  
Air Filter, Regulator  
& Lubricator



SA-2230AF&R 1/4"  
SA-2230F&R 3/8"  
SA-2240AF&R 1/2"  
SA-2260AF&R 3/4"  
Air Filter & Regulator



SA-2230AL 1/4"  
SA-2230L 3/8"  
SA-2240AL 1/2"  
SA-2260AL 3/4"  
Air Lubricator



SA-2230AF 1/4"  
SA-2230F 3/8"  
SA-2240AF 1/2"  
SA-2260AF 3/4"  
Air Filter



SA-2201B 1/8"  
SA-2201A 1/4"  
Air Regulator



SA-2220AR 1/4"  
SA-2220R 3/8"  
Air Regulator



SA-1121 1/8"  
SA-1122 1/4"  
Mini Air Filter,  
Regulator  
& Lubricator



SA-1111 1/8"  
SA-1112 1/4"  
Mini Air Filter,  
Regulator  
& Lubricator



SA-1121F&R 1/4"  
SA-1122F&R 3/8"  
Mini Air Filter &  
Regulator



SA-1111L 1/8"  
SA-1112L 1/4"  
Mini Air  
Lubricator



SA-1111F 1/8"  
SA-1112F 1/4"  
Mini Air Filter



SA-1100A 1/8"  
SA-1100 1/4"  
Mini Air Filter, Regulator  
& Lubricator



SA-1111R 1/8"  
SA-1112R 1/4"  
Mini Air Regulator

## Specification:

Recommend Air Pressure: 6.5 kg/cm<sup>2</sup> (90psi)

Model No.	Port Size (PT,NPT)	Filter Element	Adj. Pressure Range (kgf/cm <sup>2</sup> )	Maxi Service Pressure (kgf/cm <sup>2</sup> )	Maxi Flow (l/min)	Operating Temp Range (°C)	Drain Capacity (ml)	Oil Capacity (ml)	Recommendable Lubricants	Packing Pcs/Ctn/G.W./Cuft' (kgs)	Type Of Constitution Unit		
											Air Filter	Regulator	Lubricator
SA-2322	1/4"	20u	0.5-9.9	15	1750	5-60	80	125	ISO VG-32	12Pcs/Ctn/20/1.7'	SA-2322F&R	SA-2312L	
SA-2323	3/8"	20u	0.5-9.9	15	1950	5-60	80	125	ISO VG-32	12Pcs/Ctn/20/1.7'	SA-2323F&R	SA-2313L	
SA-2324	1/2"	20u	0.5-9.9	15	2200	5-60	80	125	ISO VG-32	12Pcs/Ctn/20/1.7'	SA-2324F&R	SA-2314L	
SA-2312	1/4"	20u	0.5-9.9	15	1750	5-60	80	125	ISO VG-32	12Pcs/Ctn/25/2.2'	SA-2312F	SA-2312R	SA-2312L
SA-2313	3/8"	20u	0.5-9.9	15	1950	5-60	80	125	ISO VG-32	12Pcs/Ctn/25/2.2'	SA-2313F	SA-2313R	SA-2313L
SA-2314	1/2"	20u	0.5-9.9	15	2200	5-60	80	125	ISO VG-32	12Pcs/Ctn/25/2.2'	SA-2314F	SA-2314R	SA-2314L
SA-2230A	1/4"	5u	0.5-8.5	9.5	1000	5-60	60	90	ISO VG-32	10Pcs/Ctn/15/1.3'	SA-2230AF&R	SA-2220AL	
SA-2230	3/8"	5u	0.5-8.5	9.5	1350	5-60	60	90	ISO VG-32	10Pcs/Ctn/12.5/1.4'	SA-2230F&R	SA-2220L	
SA-2240A	1/2"	5u	0.5-8.5	9.5	3000	5-60	100	160	ISO VG-32	10Pcs/Ctn/25/2.57'	SA-2240AF&R	SA-2240AL	
SA-2260A	3/4"	5u	0.5-8.5	9.5	3100	5-60	100	160	ISO VG-32	10Pcs/Ctn/25/2.57'	SA-2260AF&R	SA-2260AL	
SA-2220A	1/4"	5u	0.5-8.5	9.5	1000	5-60	60	90	ISO VG-32	10Pcs/Ctn/14/1.78'	SA-2220AF	SA-2220AR	SA-2220AL
SA-2220	3/8"	5u	0.5-8.5	9.5	1350	5-60	60	90	ISO VG-32	10Pcs/Ctn/14/1.78'	SA-2220F	SA-2220R	SA-2220L
SA-1121	1/8"	20u	0.5-9.9	15	1000	5-60	15	30	ISO VG-32	30Pcs/Ctn/20/1.3'	SA-1121F&R	SA-1111L	
SA-1122	1/4"	20u	0.5-9.9	15	1100	5-60	15	30	ISO VG-32	30Pcs/Ctn/20/1.3'	SA-1122F&R	SA-1112L	
SA-1111	1/8"	20u	0.5-9.9	15	1000	5-60	15	30	ISO VG-32	24Pcs/Ctn/23/1.36'	SA-1111F	SA-1111R	SA-1111L
SA-1112	1/4"	20u	0.5-9.9	15	1100	5-60	15	30	ISO VG-32	24Pcs/Ctn/23/1.36'	SA-1112F	SA-1112R	SA-1112L
SA-1100A	1/8"	5u	0.5-8.5	9.5	650	5-60	15	25	ISO VG-32	20Pcs/Ctn/13/1'	SA-1100AF	SA-2201B	SA-1100AL
SA-1100	1/4"	5u	0.5-8.5	9.5	750	5-60	15	25	ISO VG-32	20Pcs/Ctn/13/1'	SA-1100F	SA-2201A	SA-1100L